



TP Series

Telephone, Surge Protection Device

Voice Grade, POTS Line

5500 E Loop 820 S Suite 205
 Fort Worth, TX 76119
 Phone: 817.483.8497
 Fax: 817.572.2242
 www.ecsintl.com

The TP Series devices provide superior surge protection for voice transmission via telephone signal line circuits.

The TP Line has a multitude of model options to provide protection for up to 3 pairs or 6 wires of signal lines, plus optional Shield Protection, connected via the detachable terminal strips for ease of wiring and installation.

The TP exclusive removable DIN Mounting Foot easily detaches providing a means of mounting to standard DIN Rail, a cabinet, plate or wall making the TP installation meet the requirements of almost any in field installation with ease.

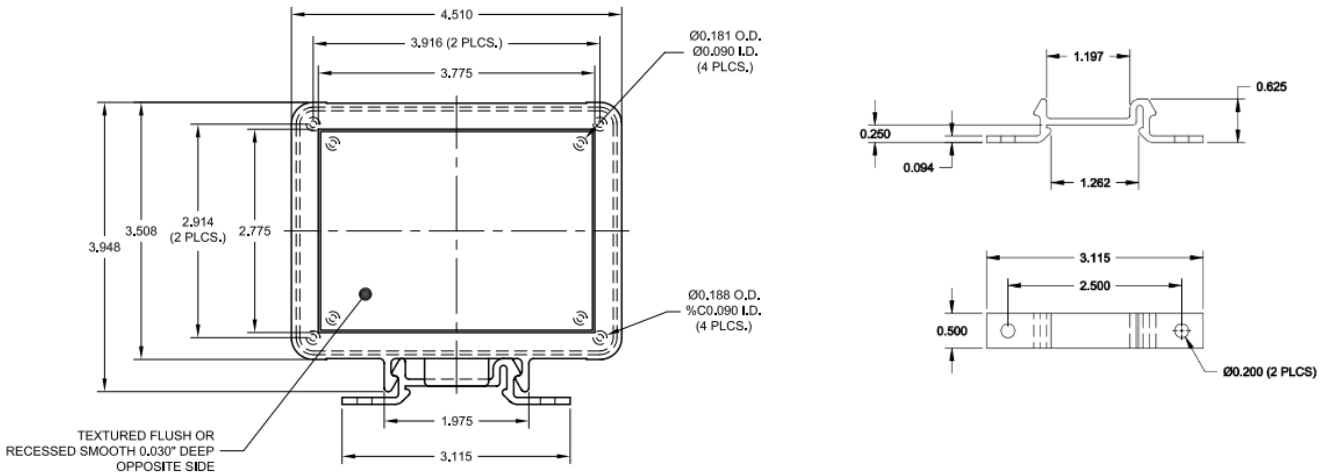
Superior Features:

- **High Energy (20 kA/Pair) Series Wired Surge Protection Device for protection of telephone signal type circuits.**
- **25 Years Unlimited Free Replacement Warranty.**
- **UL94-5VA and UL94V-0 Dual Rated ABS Plastic Enclosure.**
- **Standard Dual Purpose Detachable Mounting System provides standard means for both DIN Rail and Surface Mounting Application.**
- **Standard Detachable Compression Box Terminals located at the input and output of the device handle wires sizes from 22-12 AWG.**
- **Dedicated Component All Mode Protection. L-L (Normal Mode) and each L-G (Common Mode).**

TP Product Model Number Configurator						
Model Family Designator	Nominal Operating Voltages	Maximum Data/Signal Rates	Number of Wire Protected	Standard DIN Dual Mounting System	Optional Shield to Ground Protection	Revision Code (Standard)
TP	##	X	#	DIN	X	- B
Standard Model Designator	48 = 48V	D = 100 kHz	2 = 2 Wires/1 Pair	Direct snap on to standard DIN Rail or Use Detachable Tab/Foot for Panel Mounting.	S	"-B" Standard for Product Revision Code
	130 = 130V		4 = 4 Wires/2 Pairs		Blank	
	Other Voltages Available Upon Request		6 = 6 Wires/3 Pairs		Add "S" for Shield Protection, leave blank for no Shield	
Sample Model Number: TP130D6DINS-B is a TC Series Product, 130V, Up to 100 kHz, 6 Conductor, DIN, Shield Protected, Rev B Designator.						

Table of Maximum Suggested Operating Limits			
Nominal System Operating Voltage (Vnom)	TP##D#DIN(S)-B	Maximum Continuous Operating Voltage (MCOV) - (L-L & L-G)	Maximum Continuous Operating Current (MCOC)
0 > Vnom < 48	TP48D#DIN(S)-B	62 Vpk	1.5 A
0 > Vnom < 130	TP130D#DIN(S)-B	130 Vpk	1.5 A

Notes: The "##" designates (48 or 130), and the "#" designates the number of Lines Protected (2, 4 or 6).



Product Weight = Less than 1 lb.